

Standard Details Table of Contents
**Previous Detail Number*

Detail	Description	Board Review	Revised Date
SD 1	Water Main, Service Line and Lateral Trench Details	3-10-10	10-30-12
SD 2	Thrust Blocks (SD3*)	3-10-10	6-27-14
SD 3	Locating Wire (SD4*)	3-10-10	6-27-14
SD 4	Mainline Valve Assembly (SD5*)	3-10-10	6-27-14
SD 5	$\frac{3}{4}$ " and 1" Air Release Valve Assembly (SD6*)	3-10-10	6-27-14
SD 6	2" Blowoff Assembly-Type A or B (SD7*)	3-10-10	6-27-14
SD 7	4" or Larger Blowoff Assembly-Type A or B (SD12*)	3-10-10	6-27-14
SD 8	Fire Hydrant Assembly	3-10-10	4-12-16
SD 9	Guide Marker and Valve Operating Shaft Extension	3-10-10	2-25-14
SD 10	Meter Box Location	3-10-10	
SD 11	$\frac{5}{8}$ ", $\frac{1}{4}$ ", and 1" Meter Assembly-Single and Double	3-10-10	5-21-15
SD 11HP	$\frac{5}{8}$ ", $\frac{1}{4}$ ", and 1" Meter Assembly-High Pressure	4-13-16	
SD 12	$\frac{5}{8}$ " and $\frac{1}{4}$ " Meter Assembly with a 1" Fire Service Meter (SD11A*)	11-30-11	5-21-15
SD 12HP	$\frac{5}{8}$ " and $\frac{1}{4}$ " Meter Assembly with a 1" Fire Service Meter-High Pressure	4-13-16	
SD 13	1 $\frac{1}{2}$ " and 2" Meter Assembly	3-10-10	6-27-14
SD 14	Private Fire Service-Single Detector Check (SD13*)	3-10-10	10-4-10
SD 15	Private Fire Service-Reduced Pressure (SD13RP*)	3-10-10	1-12-11
SD 16	Private Fire Service-Double Detector Check (SD14*)	3-10-10	1-12-11

Detail	Description	Board Review	Revised Date
SD 17	Barrier Posts (SD16*)	3-10-10	6-27-14
SD 18	End of Main with Future Extension (SD22*)	3-10-10	11-6-12
SD 19	Anchor Block (SD23*)	3-10-10	6-27-14
SD 20	2" thru 4" Temporary Construction Water Supply (SD26*)	8-25-10	6-27-14
SD 21	Solar Bilge Pump (SD27*)	7-27-11	6-27-14
SD 22	Backflow Prevention Device (SD28*)	12-11-13	6-27-14
SD 23	Backflow Prevention Device (SD29*)	12-11-13	6-27-14
SD 24	Spillway Facility (Two Pages) (SD30*)	12-11-13	6-27-14
SD 25	Canal Culvert Installation (Two Pages) (SD21*)	3-10-10	4-18-16
SD 26	Canal Utility Crossing (Under) (SD17*)	2-5-14	6-27-14
SD 27	Canal Utility Crossing (Over) (SD18*)	2-5-14	6-27-14
SD 28	Canal Sewer Crossing (Under) (SD19*)	2-5-14	6-27-14
SD 29	Canal Storm Water Crossing (Overshot) (SD24*)	3-10-10	6-27-14
SD 30	Canal Storm Water Crossing (Undershot) (SD25*)	3-10-10	6-27-14
SD 31	Canal Fence Crossing	2-26-14	6-27-16
SD 32	Footbridge Crossing	2-26-14	
SD 33	Encroachment Guide Marker	8-12-14	

Canal Sewer Crossing (Over) (SD20*) No Longer Available

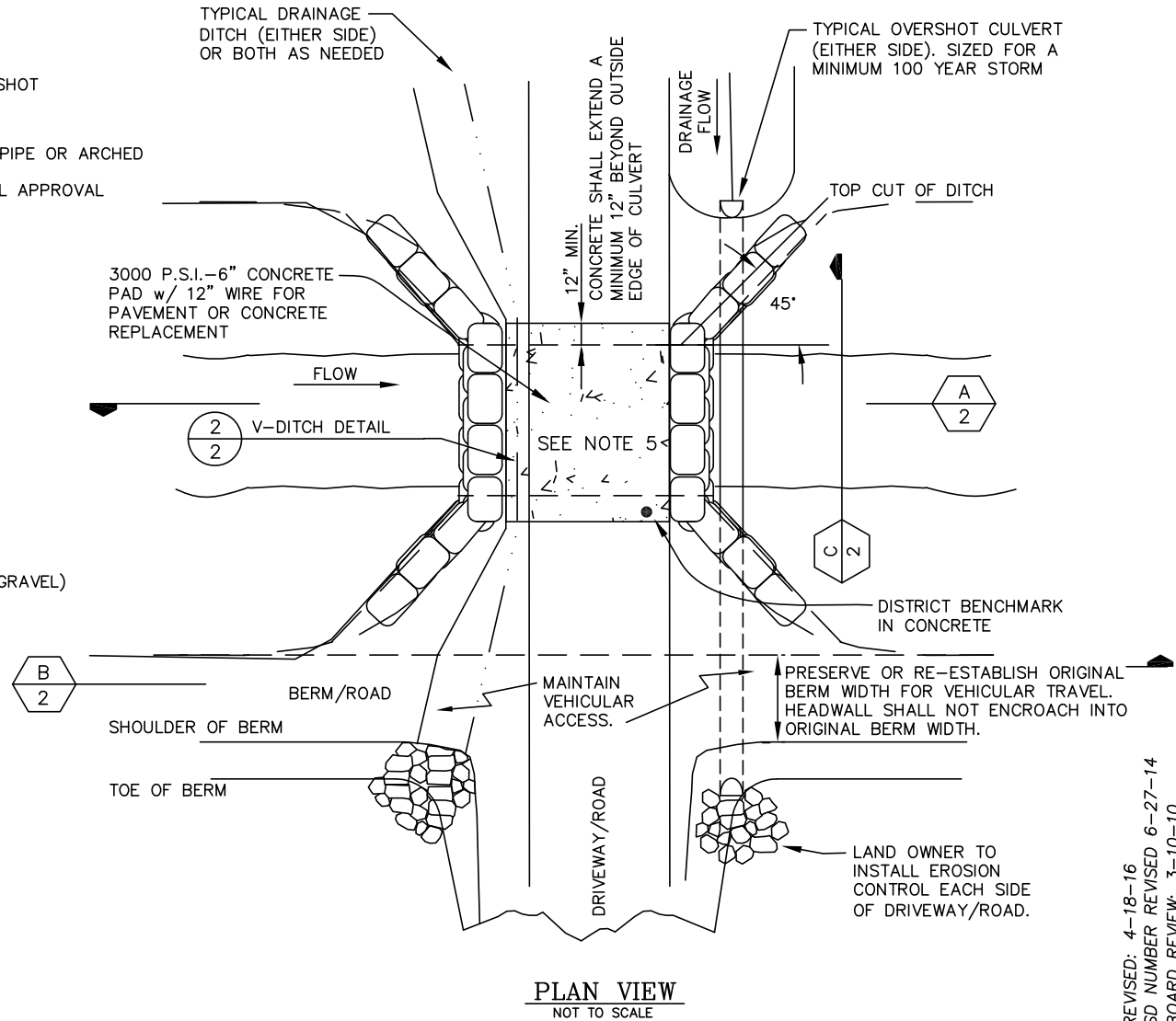
1. ENDWALLS SHALL BE CONSTRUCTED OF BURLAP SACKS (NO PAPER SACKS) FILLED WITH CONCRETE OR APPROVED EQUAL SUCH AS REINFORCED CONCRETE WALLS OR CONCRETED ROCK WALLS.
2. ALL CONCRETE SHALL BE A MINIMUM OF FIVE SACK PER YARD MIX.
3. ALL DRAINAGE CREATED BY NEW CONSTRUCTION SHALL BE DIVERTED OVER THE CANAL. DITCHES AND/OR OVERSHOT CULVERTS SHALL BE PLACED AS APPROVED BY DISTRICT. NO DRAINAGE WILL BE ALLOWED IN CANAL.
4. ROUND, DOUBLE WALLED HIGH DENSITY POLYETHYLENE (HDPE) PIPE OR ARCHED VINYL COATED GALVANIZED CORRUGATED PIPE MAY BE USED. STEEL, ALUMINUM OR OTHER PIPES CAN BE USED WITH SPECIAL APPROVAL OF THE DISTRICT ENGINEER.

PIPE DIA. (ID)	ARCH EQUIVALENT SPAN x RISE	MIN. COVER (*)	
		CMP	HDPE
18	21" x 15"	12	12
21	24" x 18"	12	12
24	28" x 20"	12	12
30	35" x 24"	12	12
36	42" x 29"	12	12
42	49" x 33"	12	12
48	57" x 38"	12	12
54	64" x 43"	12	24
60	71" x 47"	12	24
66	77" x 52"	12	n.a.
72	83" x 57"	12	n.a.

*TOP OF PIPE TO BOTTOM OF FLEXIBLE PAVEMENT (SUCH AS GRAVEL)
 *TOP OF PIPE TO TOP OF RIGID PAVEMENT

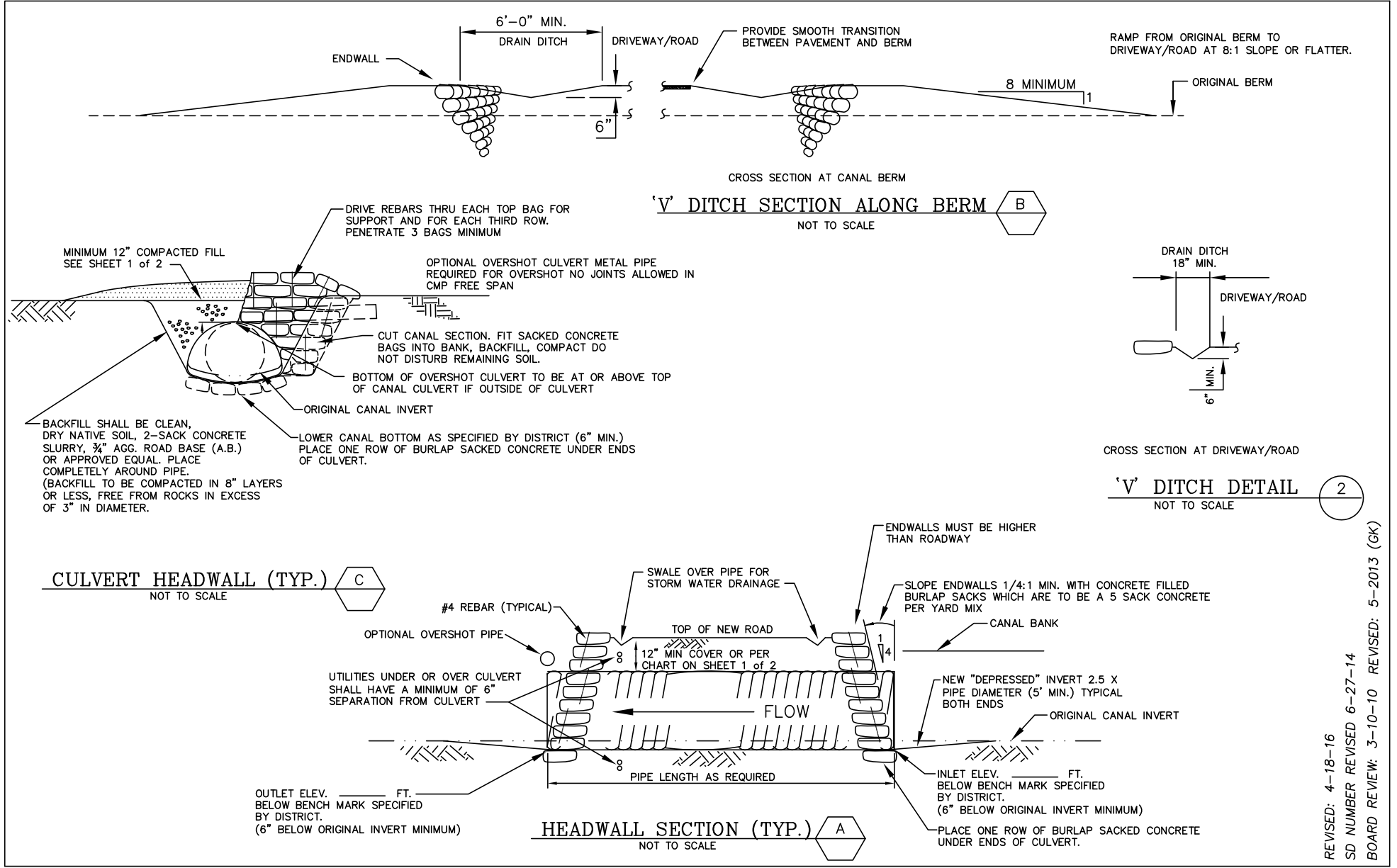
5. IF THIS IS A REPLACEMENT, THE LENGTH OF CULVERT REPLACEMENT WILL BE AGREED UPON BETWEEN NID AND THE LAND OWNER.
6. EXCEPT FOR REPLACEMENTS, CULVERT LENGTH WILL BE DETERMINED BY OWNER. THE FOLLOWING FORMULA CAN BE USED:

$$L = W + 3 + 2(H \times 1/4)$$
 WHERE:
 L=LENGTH OF CULVERT
 W=DESIRED ROAD WIDTH PLUS DRAINAGE DITCHES
 H=HEIGHT OF ROAD SURFACE FROM BOTTOM OF PIPE (RISE OF PIPE PLUS COVER OVER PIPE)
7. USE OF MANUFACTURED FLARED END SECTION IS OPTIONAL. FLARED END SECTION WILL NOT REPLACE REQ'T FOR RIP-RAP.
8. MINOR MODIFICATIONS TO MEET FIELD CONDITIONS SUBJECT TO APPROVAL BY ENGINEERING MANAGER.



PLAN VIEW
NOT TO SCALE

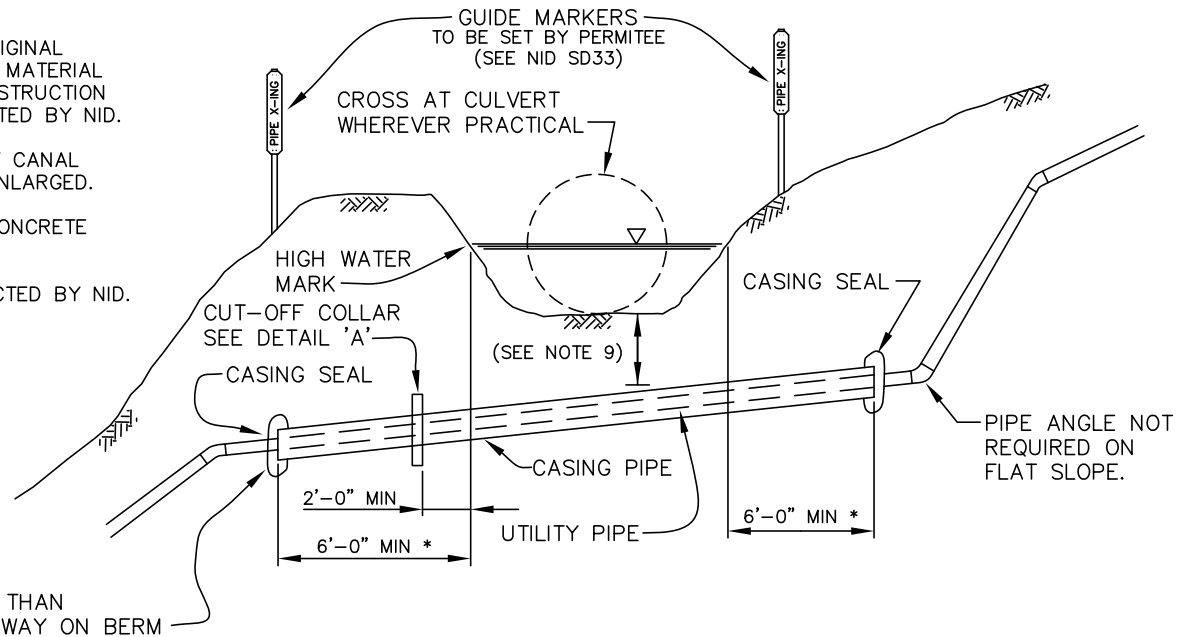
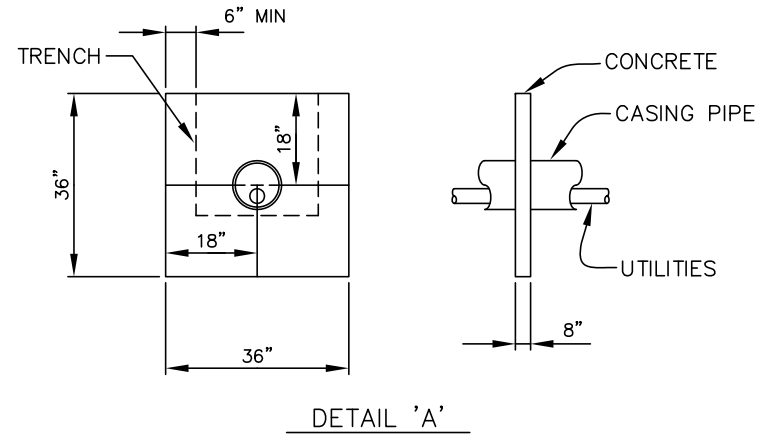
REVISED: 4-18-16
 SD NUMBER REVISED 6-27-14
 BOARD REVIEW: 3-10-10



REVISED: 4-18-16
 SD NUMBER REVISED 6-27-14
 BOARD REVIEW: 3-10-10 REVISED: 5-2013 (GK)

NOTES:

1. CROSS THE CANAL UNDER A CULVERT WHEREVER PRACTICAL. CENTER THE CROSSING ON THE CULVERT PIPE.
2. WATERLINE, ELECTRICAL AND TELECOM CAN CROSS IN THE SAME CASING PIPE. ELECTRICAL AND TELECOM MUST BE ENCLOSED IN SEPARATE PIPES WITHIN THE CASING.
3. CASING PIPE SHALL BE EITHER CONTINUOUS #10 GAUGE DIPPED AND WRAPPED STEEL OR CMP WITH #16 GAUGE FOR STEEL AND #14 GAUGE FOR ALUMINUM OR C-900 PVC. A CASING SHALL BE AT LEAST TWO INCHES LARGER INTERIOR DIAMETER THAN THE EXTERIOR WATER PIPE DIAMETER, WITH A MINIMUM OF FOUR INCHES. EXTEND CASING PIPE ON UPHILL SIDE TO ABOVE THE ELEVATION OF THE MAXIMUM WATER LEVEL.
4. CANAL OUTAGES MUST BE APPROVED BY THE DISTRICT IN ADVANCE. IF A CASING PIPE ELBOW IS TO BE INSTALLED, IT MUST BE FABRICATED BEFORE THE OUTAGE IS SCHEDULED (MINIMUM TWO WEEKS NOTIFICATION). EFFORT WILL BE MADE TO REDUCE TURBIDITY IN CANAL AFTER INSTALLATION.
5. THE CANAL CROSS SECTION MUST BE RECONSTRUCTED TO ITS ORIGINAL SHAPE. BACKFILL MATERIAL MUST BE SIMILAR TO THE EXCAVATED MATERIAL AND BE COMPACTED TO ITS ORIGINAL DENSITY OR HIGHER. RECONSTRUCTION IN GUNITED SECTIONS WILL REQUIRE SPECIAL ATTENTION AS DIRECTED BY NID.
6. THE CASING PIPE MAY REQUIRE EXTENDING BEYOND THE PRESENT CANAL CROSS SECTION IF IT IS ANTICIPATED THAT THE CANAL WILL BE ENLARGED.
7. SEAL BOTH ENDS OF CASING WITH BURLAP SACKS FILLED WITH CONCRETE OR AN APPROVED EQUIVALENT.
8. GUIDE MARKERS SHALL BE INSTALLED BY THE PERMITEE AS DIRECTED BY NID. SEE NID SD33 FOR DETAILS.
9. CLEARANCE:
 1'-6" MINIMUM UNDER CANAL AS DETERMINED BY DISTRICT
 1'-0" MINIMUM UNDER CULVERT AS DETERMINED BY DISTRICT
 DISTRICT MAY REQUIRE FLOW FILL.



SD NUMBER REVISED 6-27-14
 BOARD REVIEW: 2-5-14

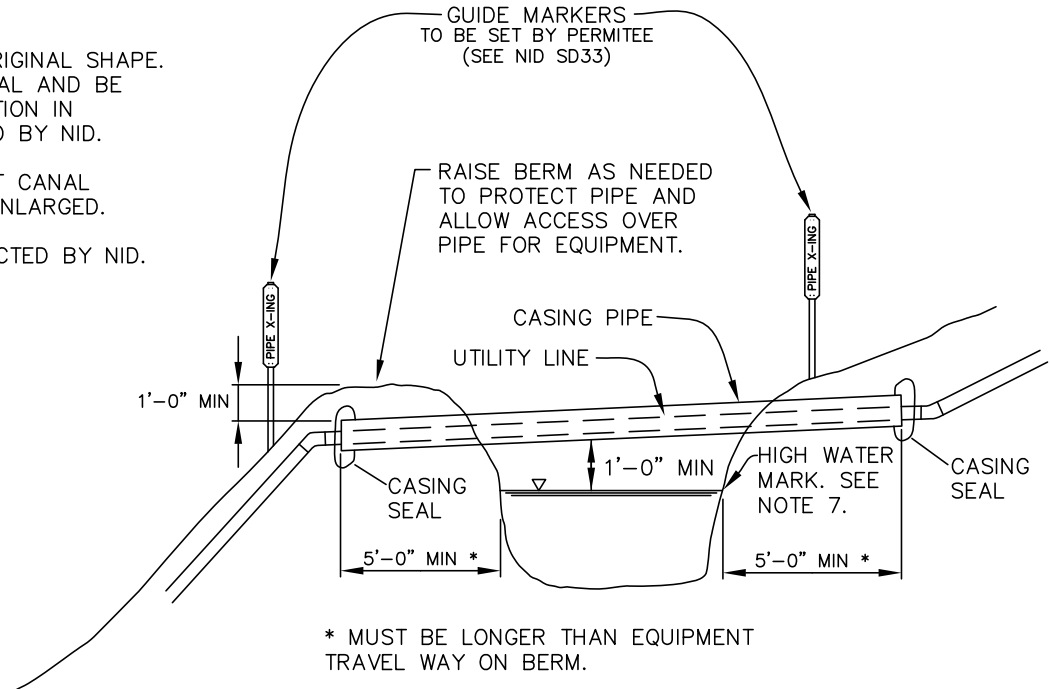
CANAL UTILITY CROSSING (UNDER)

NOT TO SCALE

NID SD26

NOTES:

1. UTILITY CANAL CROSSINGS THAT ARE NOT ON THE BERM CREATE RISKS TO THE WATER SYSTEM AND WILL NOT NORMALLY BE ALLOWED. OWNER MUST DEMONSTRATE THAT PHYSICAL CONSTRAINTS EXIST THAT ALLOW INSTALLATION UNDER THE CANAL. REQUESTS FOR THESE TYPES OF CROSSINGS WILL BE REVIEWED ON AN INDIVIDUAL BASIS IF APPROVED.
2. WATERLINE, ELECTRICAL AND TELECOM CAN CROSS IN THE SAME CASING PIPE. ELECTRICAL AND TELECOM MUST BE ENCLOSED IN A SEPARATE PIPE WITHIN THE CASING.
3. CASING PIPE SHALL BE EITHER CONTINUOUS #10 GAUGE DIPPED AND WRAPPED STEEL PIPE OR CMP WITH #16 GAUGE FOR STEEL AND #14 GAUGE FOR ALUMINUM. A CASING SHALL BE AT LEAST TWO INCHES LARGER INTERIOR DIAMETER THAN THE EXTERIOR WATER PIPE DIAMETER, WITH A MINIMUM OF FOUR INCHES.
4. THE CANAL CROSS SECTION MUST BE RECONSTRUCTED TO ITS ORIGINAL SHAPE. BACKFILL MATERIAL MUST BE SIMILAR TO THE EXCAVATED MATERIAL AND BE COMPACTED TO ITS ORIGINAL DENSITY OR GREATER. RECONSTRUCTION IN GUNITED SECTIONS WILL REQUIRE SPECIAL ATTENTION AS DIRECTED BY NID.
5. THE CASING PIPE MAY REQUIRE EXTENDING BEYOND THE PRESENT CANAL CROSS SECTION IF IT IS ANTICIPATED THAT THE CANAL WILL BE ENLARGED.
6. GUIDE MARKERS SHALL BE INSTALLED BY THE PERMITEE AS DIRECTED BY NID. SEE NID SD33 FOR DETAILS.
7. 12" ABOVE HIGH WATER MARK OR GREATER.



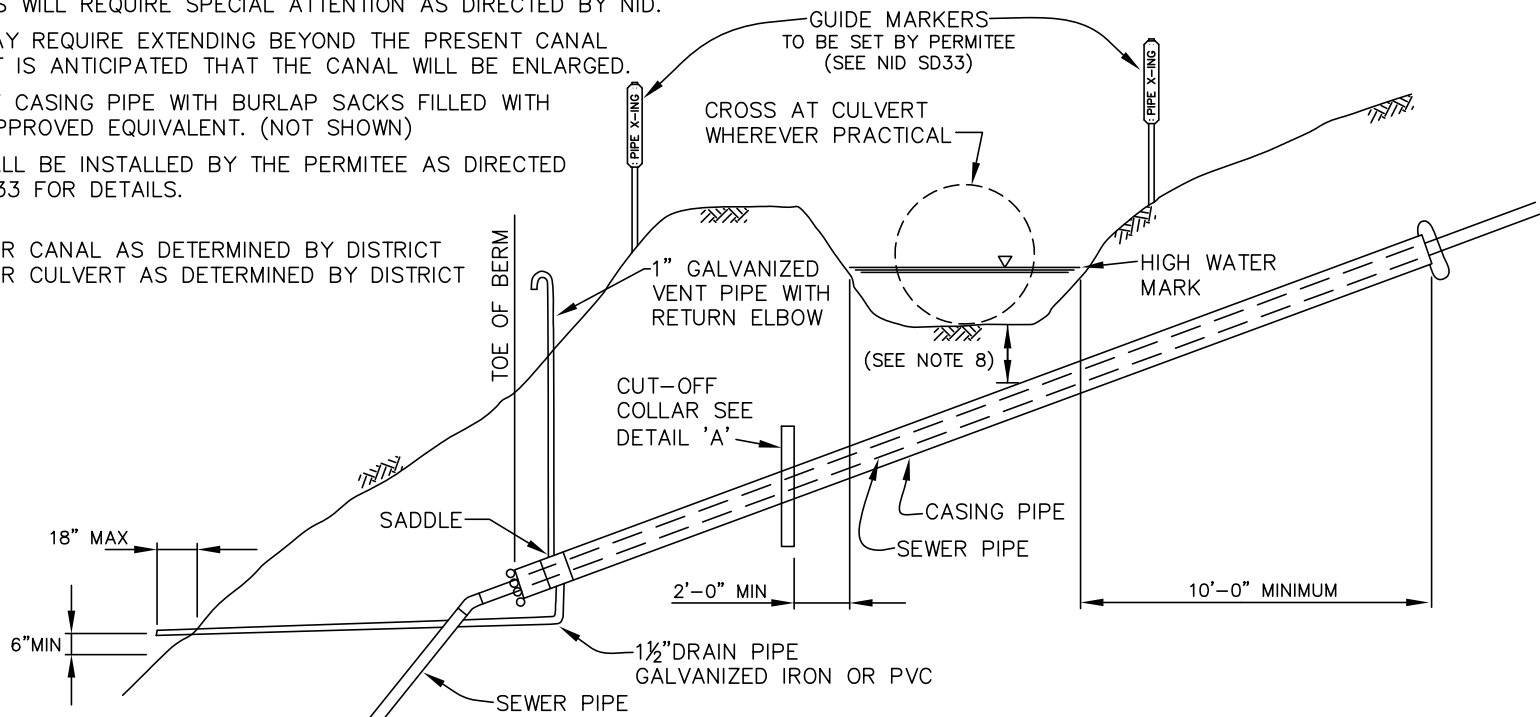
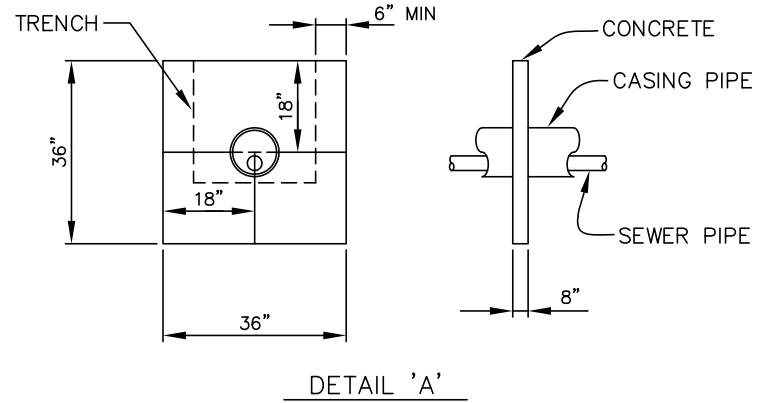
CANAL UTILITY CROSSING (OVER)

NOT TO SCALE

NID SD27

NOTES:

1. CROSS THE CANAL UNDER A CULVERT WHEREVER PRACTICAL. CENTER THE CROSSING ON THE CULVERT PIPE.
2. CASING PIPE SHALL BE EITHER CONTINUOUS #10 GAUGE DIPPED AND WRAPPED STEEL OR CMP WITH #16 GAUGE FOR STEEL AND #14 GAUGE FOR ALUMINUM OR C-900 PVC. A CASING SHALL BE AT LEAST TWO INCHES LARGER INTERIOR DIAMETER THAN THE EXTERIOR WATER PIPE DIAMETER, WITH A MINIMUM OF FOUR INCHES. EXTEND CASING PIPE ON UPHILL SIDE TO ABOVE THE ELEVATION OF THE MAXIMUM CANAL WATER LEVEL.
3. CANAL OUTAGES MUST BE APPROVED BY THE DISTRICT IN ADVANCE. IF A CASING PIPE ELBOW IS TO BE INSTALLED, IT MUST BE FABRICATED BEFORE THE OUTAGE IS SCHEDULED.
4. THE CANAL CROSS SECTION MUST BE RECONSTRUCTED TO ITS ORIGINAL SHAPE. BACKFILL MATERIAL MUST BE SIMILAR TO THE EXCAVATED MATERIAL AND BE COMPACTED TO ITS ORIGINAL DENSITY. RECONSTRUCTION IN GUNITED SECTIONS WILL REQUIRE SPECIAL ATTENTION AS DIRECTED BY NID.
5. THE CASING PIPE MAY REQUIRE EXTENDING BEYOND THE PRESENT CANAL CROSS SECTION IF IT IS ANTICIPATED THAT THE CANAL WILL BE ENLARGED.
6. SEAL BOTH ENDS OF CASING PIPE WITH BURLAP SACKS FILLED WITH CONCRETE OR AN APPROVED EQUIVALENT. (NOT SHOWN)
7. GUIDE MARKERS SHALL BE INSTALLED BY THE PERMITEE AS DIRECTED BY NID. SEE NID SD33 FOR DETAILS.
8. CLEARANCE:
 1'-6" MINIMUM UNDER CANAL AS DETERMINED BY DISTRICT
 1'-0" MINIMUM UNDER CULVERT AS DETERMINED BY DISTRICT



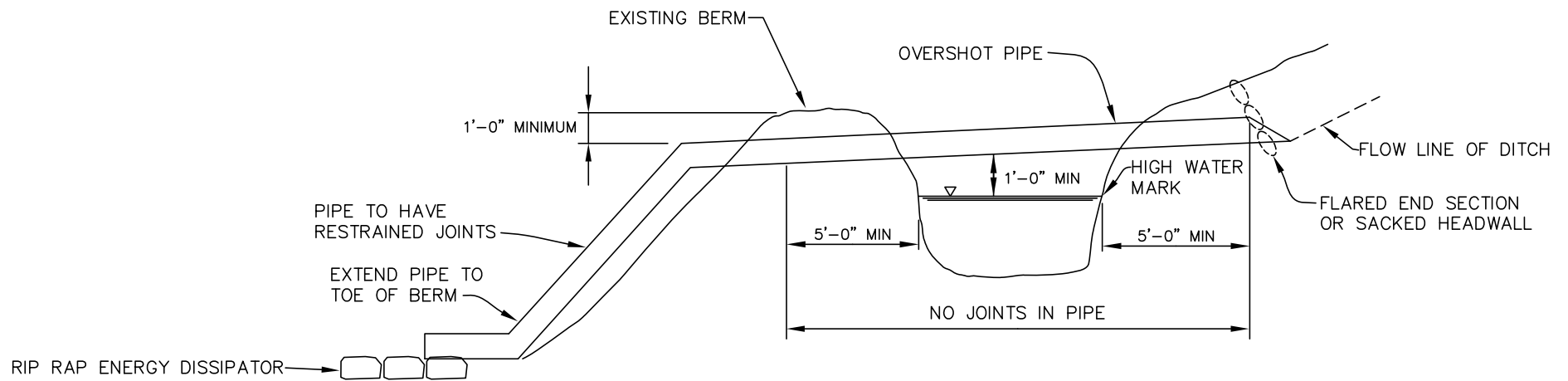
CANAL SEWER CROSSING (UNDER)

NOT TO SCALE

NID SD28

NOTES:

1. OVERHEAD UTILITY CROSSINGS WILL NOT NORMALLY BE ALLOWED. REQUESTS FOR THESE TYPES OF CROSSINGS WILL BE REVIEWED ON AN INDIVIDUAL BASIS IF APPROVED.
2. OWNER SHALL BE RESPONSIBLE FOR SIZING OVERSHOT PIPE FOR BOTH DIAMETER AND BEAM STRENGTH.
3. PIPE SHALL BE RIGID SUCH THAT MINIMAL DEFLECTION OCCURS WHEN FULLY LOADED WITH WATER.
4. OVERSHOT PIPE SHALL BE MINIMUM #12 GAUGE CMP OR APPROVED EQUIVALENT.
5. THE CANAL CROSS SECTION MUST BE RECONSTRUCTED TO ITS ORIGINAL SHAPE. BACKFILL MATERIAL MUST BE SIMILAR TO THE EXCAVATED MATERIAL AND BE COMPACTED TO ITS ORIGINAL DENSITY OR GREATER. RECONSTRUCTION IN GUNITED SECTIONS WILL REQUIRE SPECIAL ATTENTION AS DIRECTED BY NID.
6. INLET TO OVERSHOT SHALL HAVE APPROPRIATE SIZED FLARED END SECTION OR SACKED HEADWALL TO DIRECT FLOW INTO PIPE. RIP RAP ENERGY DISSIPATOR SHALL BE PLACED AT THE OUTLET OF PIPE AT TOE OF CANAL BERM PER NID SD25.
7. THE OVERSHOT MAY REQUIRE EXTENDING BEYOND THE PRESENT CANAL CROSS SECTION IF IT IS ANTICIPATED THAT THE CANAL WILL BE ENLARGED.



BOARD REVIEW: 2-5-14

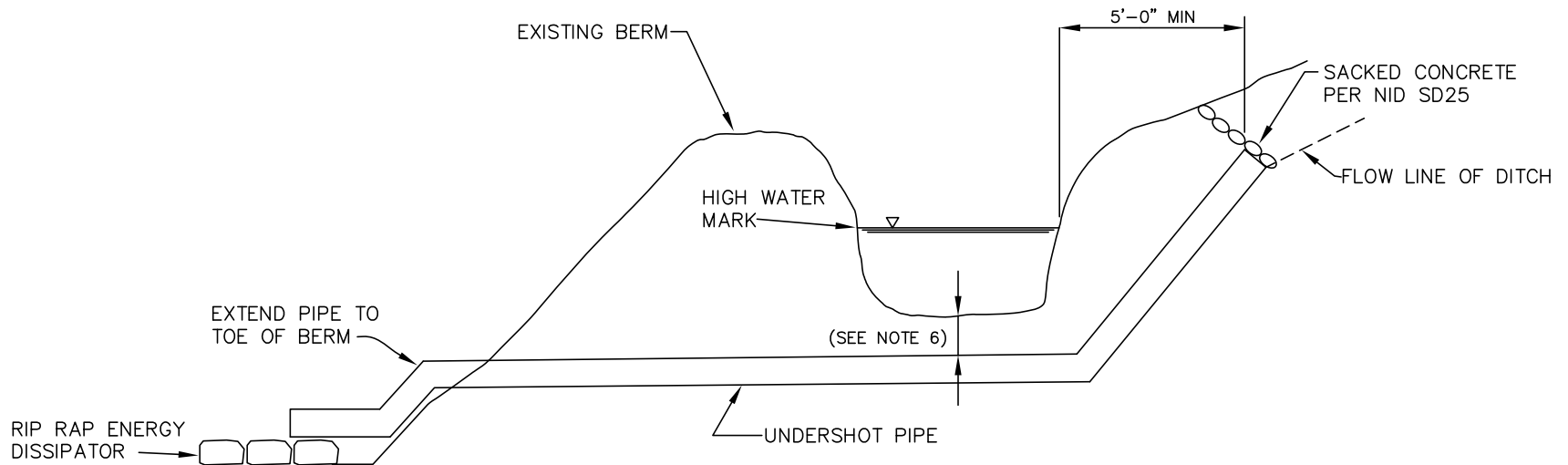
CANAL STORM WATER CROSSING (OVERSHOT)

NOT TO SCALE

NID SD29

NOTES:

1. OWNER SHALL BE RESPONSIBLE FOR SIZING UNDERSHOT PIPE.
2. UNDERSHOT PIPE SHALL BE MINIMUM #12 GAUGE CMP OR APPROVED EQUIVALENT.
3. THE CANAL CROSS SECTION MUST BE RECONSTRUCTED TO ITS ORIGINAL SHAPE. BACKFILL MATERIAL MUST BE SIMILAR TO THE EXCAVATED MATERIAL AND BE COMPACTED TO ITS ORIGINAL DENSITY OR GREATER. RECONSTRUCTION IN GUNITED SECTIONS WILL REQUIRE SPECIAL ATTENTION AS DIRECTED BY NID.
4. INLET TO UNDERSHOT SHALL HAVE APPROPRIATE SIZED SACKED HEADWALL TO DIRECT FLOW INTO PIPE. RIP RAP ENERGY DISSIPATOR SHALL BE PLACED AT THE OUTLET OF PIPE AT TOE OF CANAL BERM.
5. THE UNDERSHOT MAY REQUIRE EXTENDING BEYOND THE PRESENT CANAL CROSS SECTION IF IT IS ANTICIPATED THAT THE CANAL WILL BE ENLARGED.
6. CLEARANCE:
1'-6" MINIMUM UNDER DITCH
1'-0" MINIMUM UNDER CULVERT



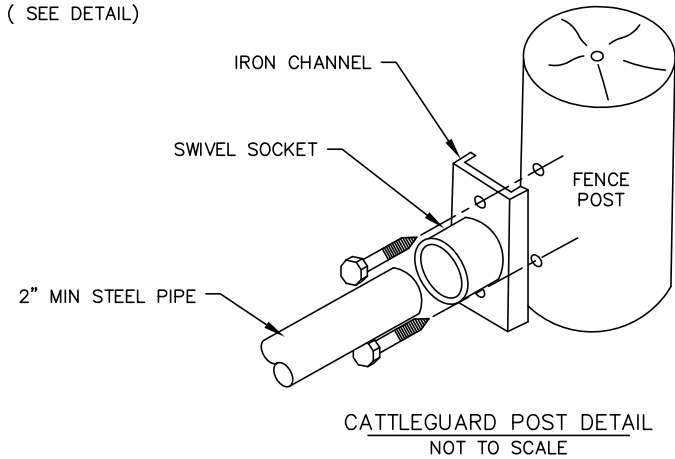
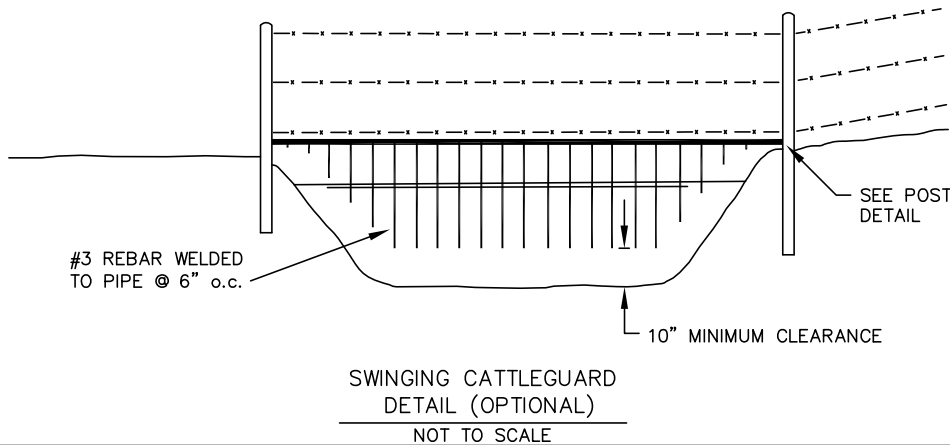
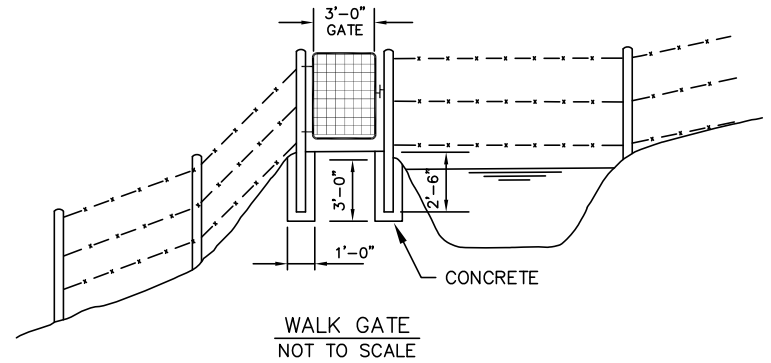
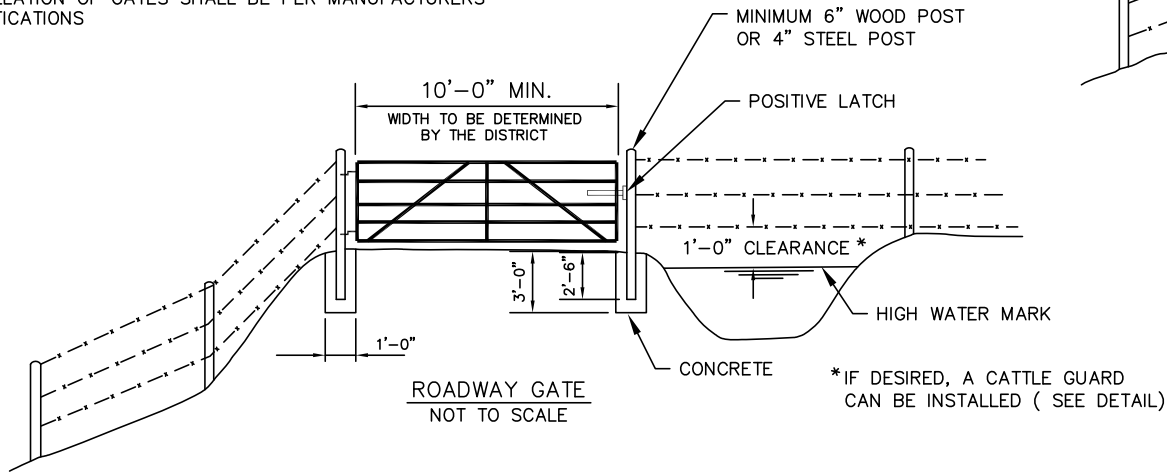
CANAL STORM WATER CROSSING (UNDERSHOT)

NOT TO SCALE

NID SD30

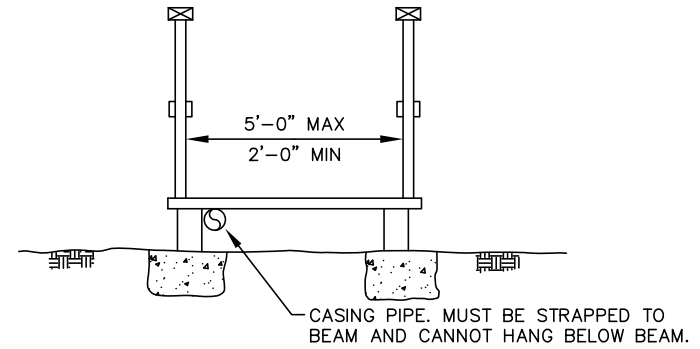
NOTES:

1. GATES SHALL BE ALUMINUM CHANNEL FARM GATES OR STEEL GATES MADE OF 1 3/8" O.D. GALVANIZED STEEL FRAME #9 GAUGE GALVANIZED STEEL FABRIC WITH 2" x 2" MESH.
2. GATES SHALL SWING FREELY, BE OFF THE GROUND, AND REMAIN OPEN WHEN OPENED.
3. IF YOU DESIRE TO LOCK YOUR GATE, A CHAIN WILL BE REQUIRED SO A DISTRICT LOCK CAN BE LINKED WITH YOUR LOCK. PLEASE CONTACT YOUR SERVICE WORKER AFTER INSTALLATION FOR DISTRICT LOCK.
4. INSTALLATION OF GATES SHALL BE PER MANUFACTURERS SPECIFICATIONS

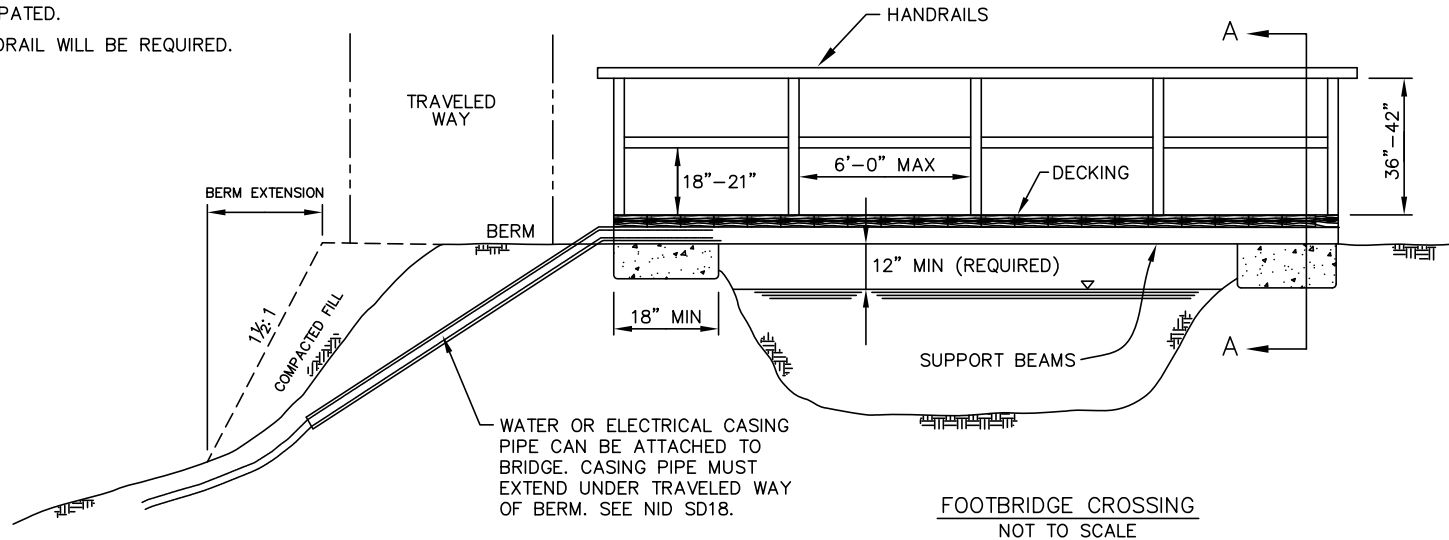


NOTES:

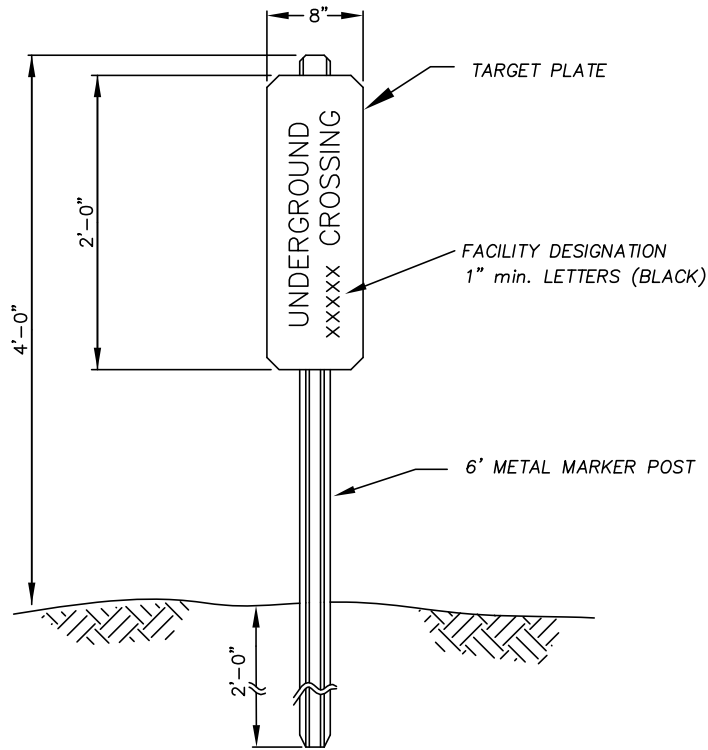
1. THIS DRAWING ILLUSTRATES GENERAL FEATURES OF A TYPICAL FOOTBRIDGE. DESIGN DRAWINGS SHOULD BE SUBMITTED TO THE DISTRICT FOR REVIEW. CONSIDERATION WILL BE GIVEN DURING REVIEW PROCESS AS TO SIZE OF CANAL, ETC., IN DETERMINING ACTUAL REQUIREMENTS.
2. SUPPORT BEAMS MUST BE ON CONCRETE FOOTINGS AND NOT IN CONTACT WITH GROUND. DECKING, SUPPORT BEAMS AND OTHER BRIDGE FEATURES MAY BE MADE OF METAL AND/OR WEATHER PROTECTED WOOD.
3. WATER OR ELECTRICAL CROSSINGS MAY BE ATTACHED TO THE UNDERSIDE OF THE BRIDGE. SUCH CROSSINGS MUST BE ENCASED. SEE NID SD18.
4. A MINIMUM OF 12" MUST BE MAINTAINED FROM THE HIGH WATER MARK OF THE CANAL AND THE LOWEST PART OF THE BRIDGE OR ANY ATTACHMENTS. NOTHING MUST EXTEND BELOW THE TOP OF THE BERM UNLESS DISTRICT APPROVAL IS GIVEN.
5. THE BERM MUST BE WIDENED IN THE AREA OF THE BRIDGE TO PROVIDE THE SAME UNEMCUMBERED WIDTH THAT THE DISTRICT ENJOYED PRIOR TO BRIDGE INSTALLATION. THIS REQUIREMENT MAY BE WAIVED BY THE DISTRICT.
6. THE LENGTH OF THE BRIDGE MAY BE REQUIRED TO BE EXTENDED BEYOND THE PRESENT CANAL CROSS SECTION IF AN ENLARGEMENT OF THE CANAL IS ANTICIPATED.
7. A MINIMUM OF ONE HANDRAIL WILL BE REQUIRED.



SECTION A-A
NOT TO SCALE



FOOTBRIDGE CROSSING
NOT TO SCALE



FACILITY DESIGNATION :

WATERLINE
ELECTRICAL
SEWER
STORM WATER

GUIDE MARKER DETAIL

NOTES:

1. ALL MATERIALS AND INSTALLATIONS SHALL CONFORM TO THE SPECIFICATIONS.
2. GUIDE MARKERS SHALL BE FURNISHED AND INSTALLED AS SHOWN ON THE PLANS OR AS DIRECTED BY THE DISTRICT ENGINEER.
3. POSTS SHALL BE TYPE 'M' AND SHALL CONFORM TO CALTRANS SECTION 82.
4. ALL NUMBERS AND LETTERS SHALL BE BLOCK STYLE AND STENCILED IN BLACK ON A WHITE BACKGROUND.
5. ALL UNDERGROUND ENCROACHMENTS SHALL BE MARKED PER DISTRICT STANDARDS.