

Staff Report

for the Board of Directors Meeting of February 13, 2019

TO: Board of Directors
FROM: Gary King PE, PhD, Engineering Manager
DATE: February 6, 2019
SUBJECT: Details – Raw Water Facilities (Consent)

ENGINEERING

RECOMMENDATION:

Accept details for raw water facilities to be included in the construction standards, as recommended by the Engineering Committee on January 22, 2019.

BACKGROUND:

Staff is recommending this spillway structure standard detail be added to the current details. These details will formalize current details that are being used on projects for use by the District and others.

Please note, some dimensions are missing on these details, since they are changed based on the canal flows and location restraints.

BUDGETARY IMPACT:

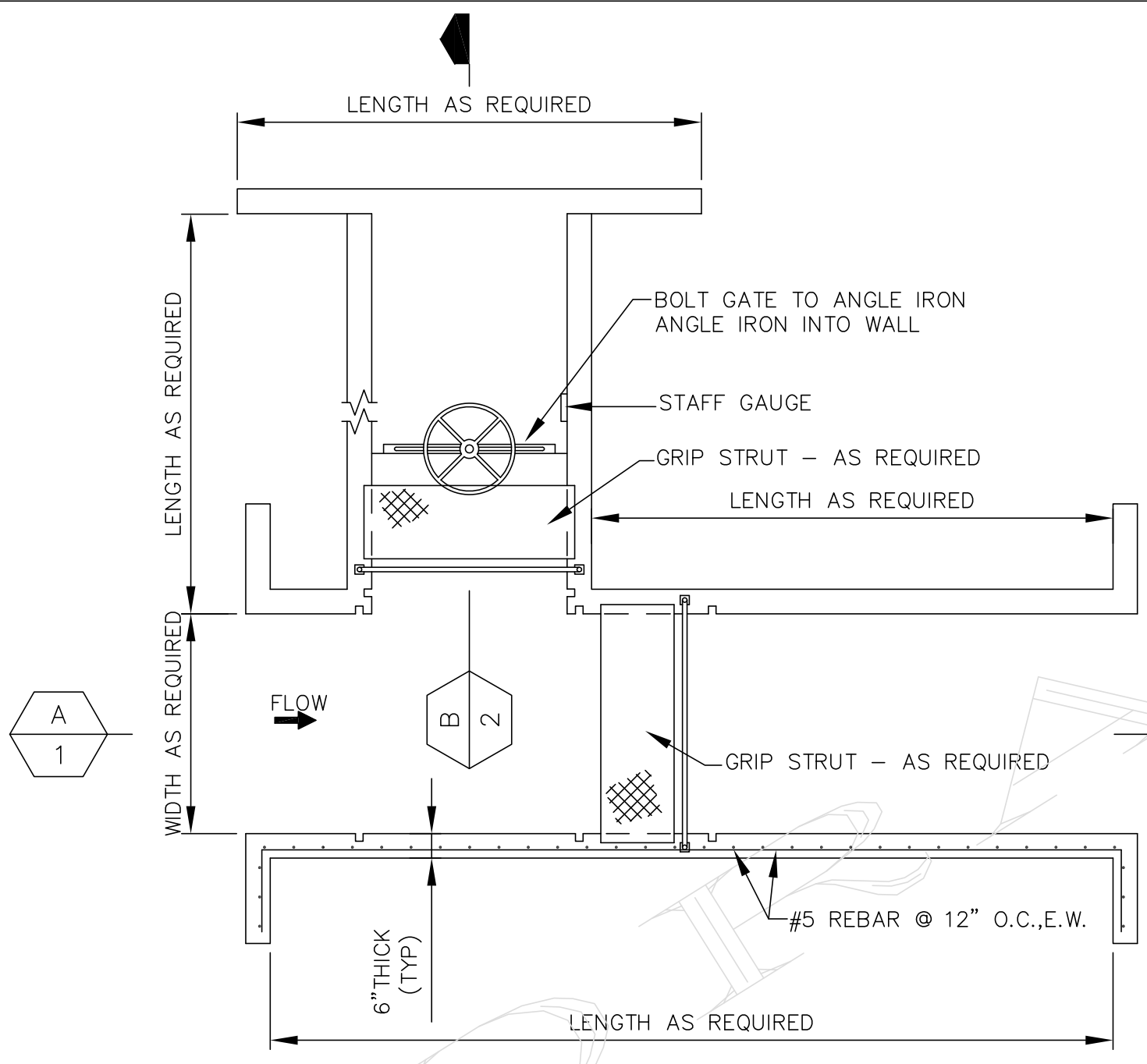
No budget impact

GDK

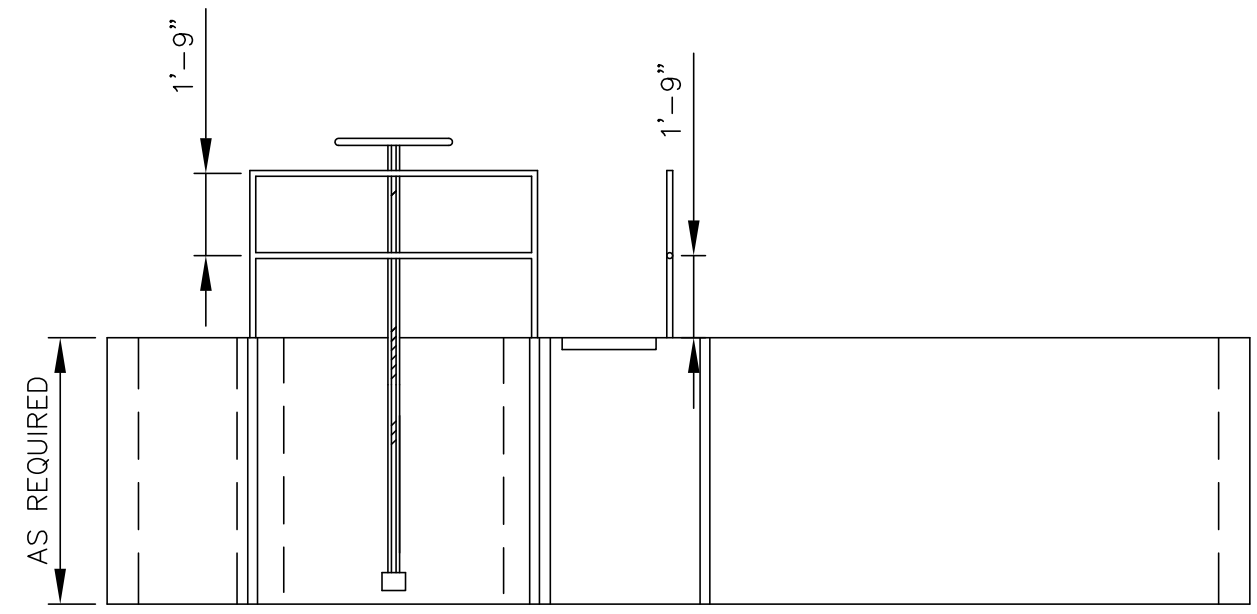
Attachments: Raw Water Details

NOTES:

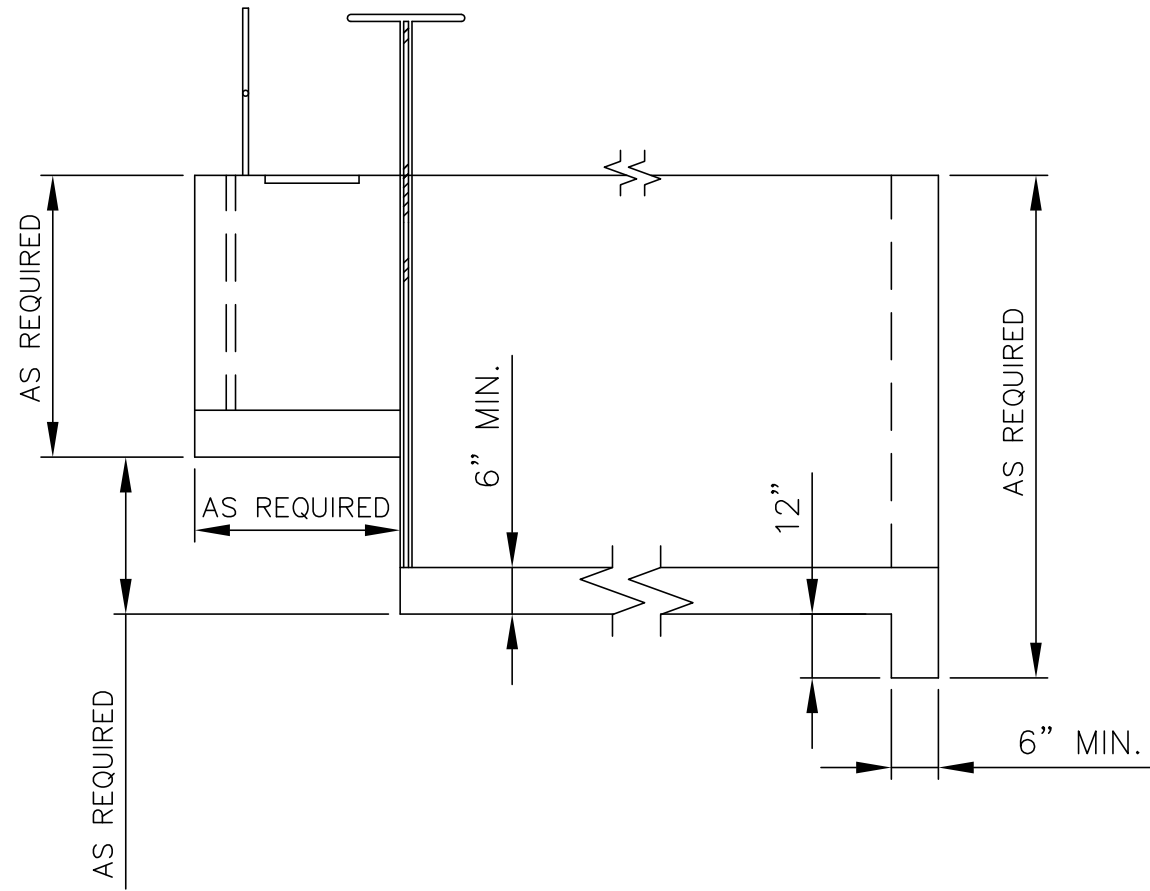
1. IF PIPE IS USED TO GET THROUGH BERM SECTION, THE MEASURING SECTION OF THE STRUCTURE IS TO BE PLACED AT END OF PIPE.



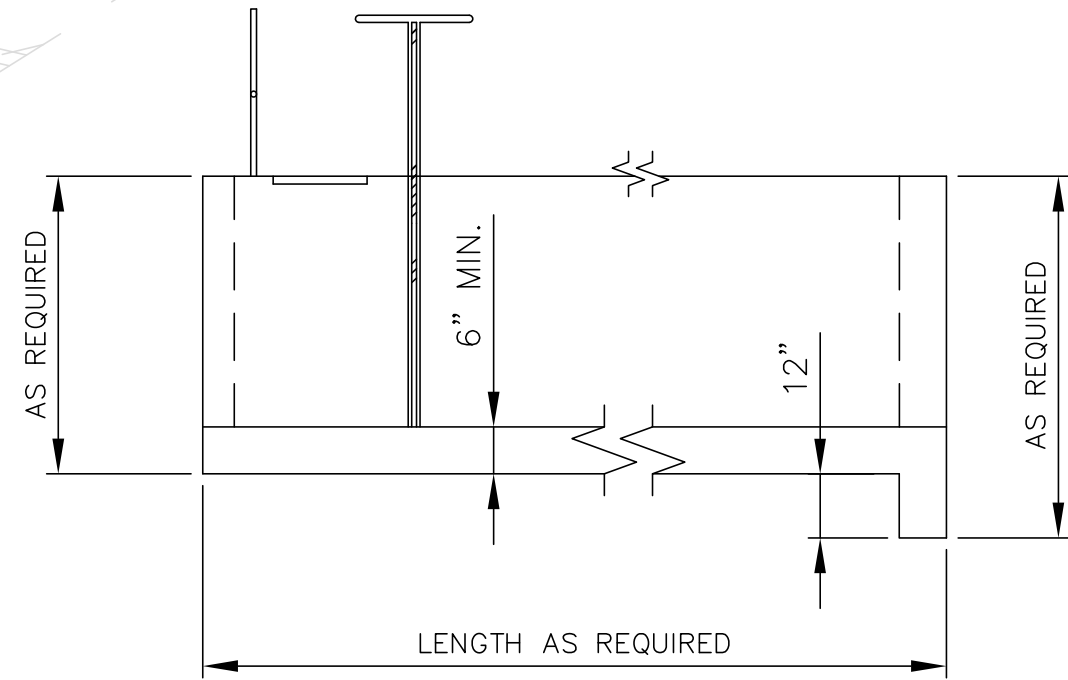
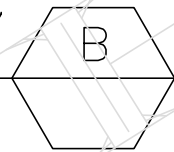
STRUCTURE
Not to Scale



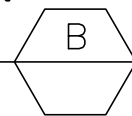
SECTION A
Not to Scale

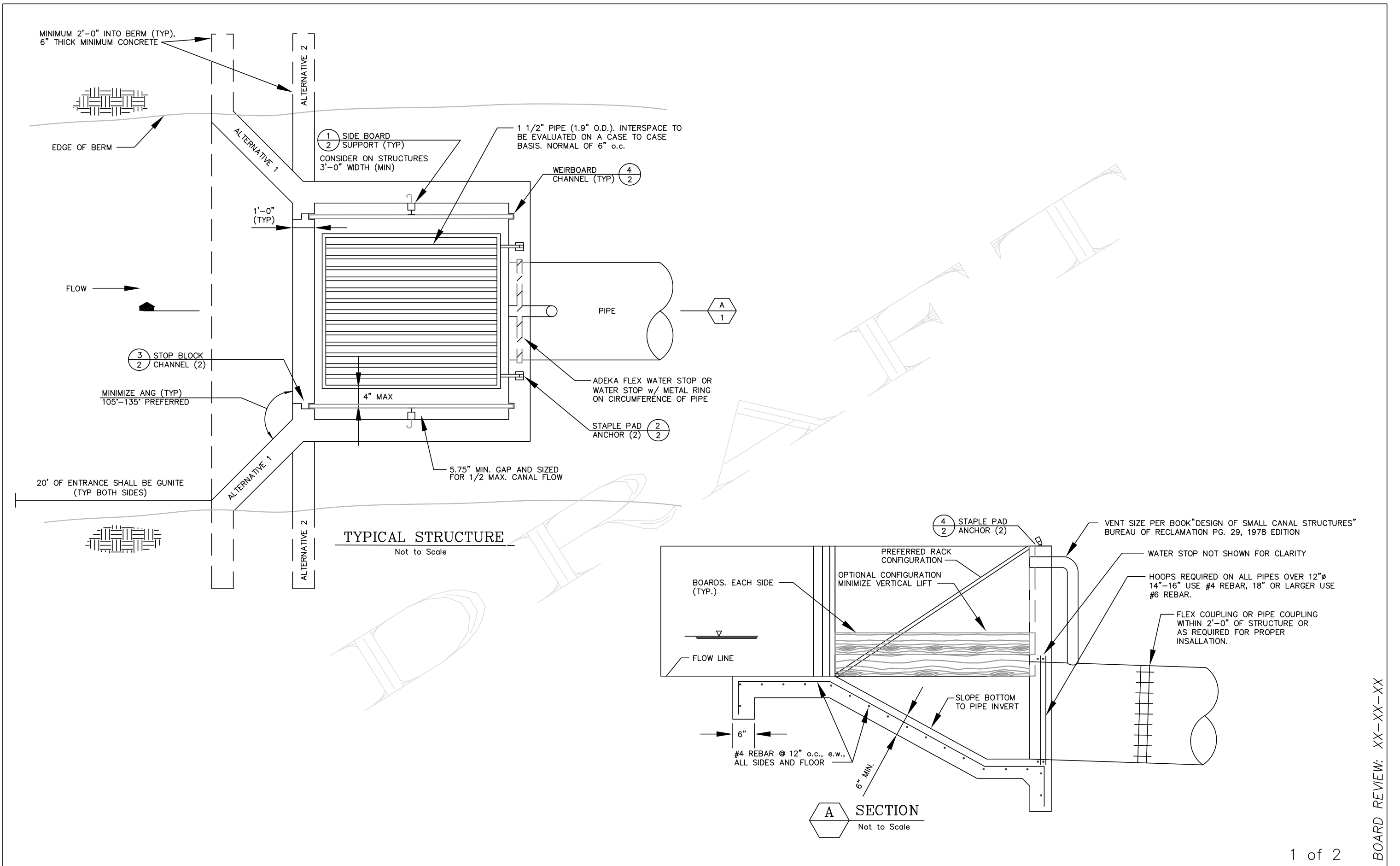


SECTION WITH DROP FLOOR
OPTION 'A'
Not to Scale



SECTION WITHOUT DROP FLOOR
OPTION 'B'
Not to Scale

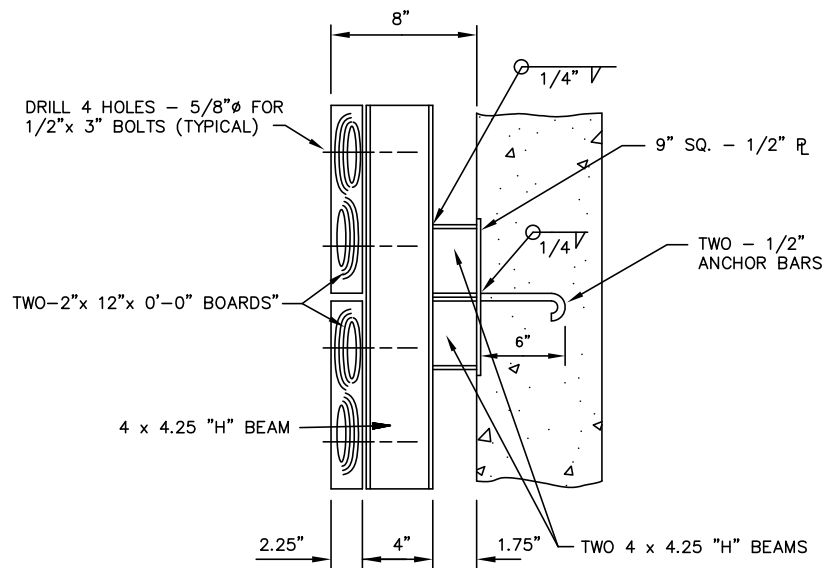




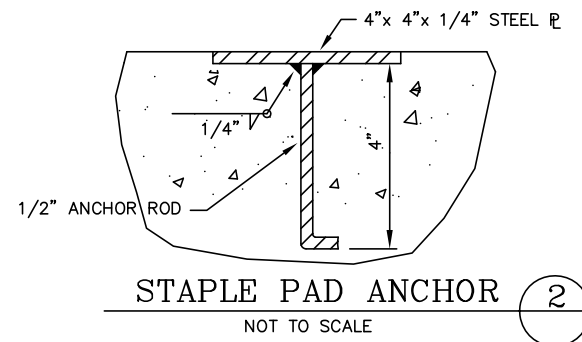
RAW WATER INLET STRUCTURE

NOT TO SCALE

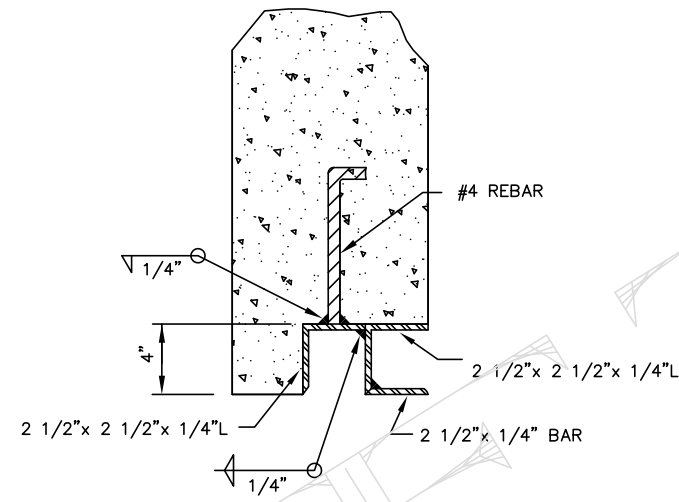
NID SDXX



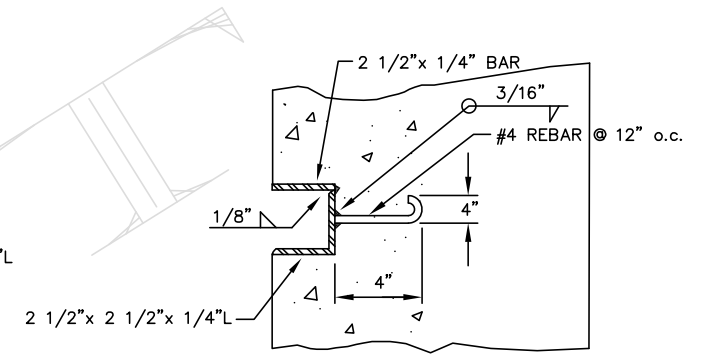
SIDE BOARD SUPPORT (1)
Not to Scale



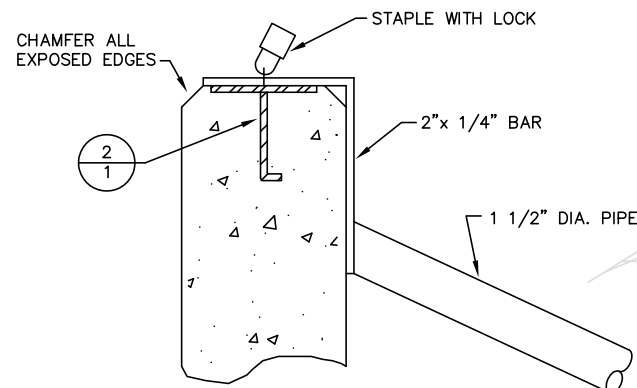
STAPLE PAD ANCHOR (2)
NOT TO SCALE



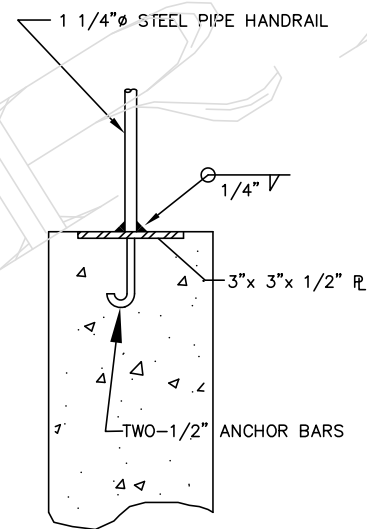
STOP BLOCK CHANNEL (3)
Not to Scale



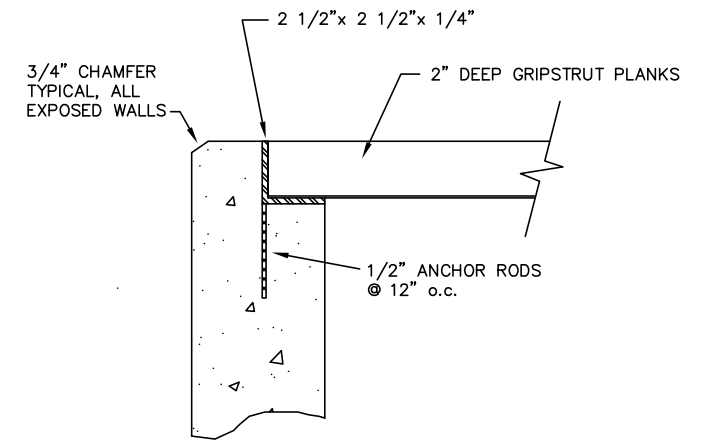
WEIRBOARD CHANNEL (4)
Not to Scale



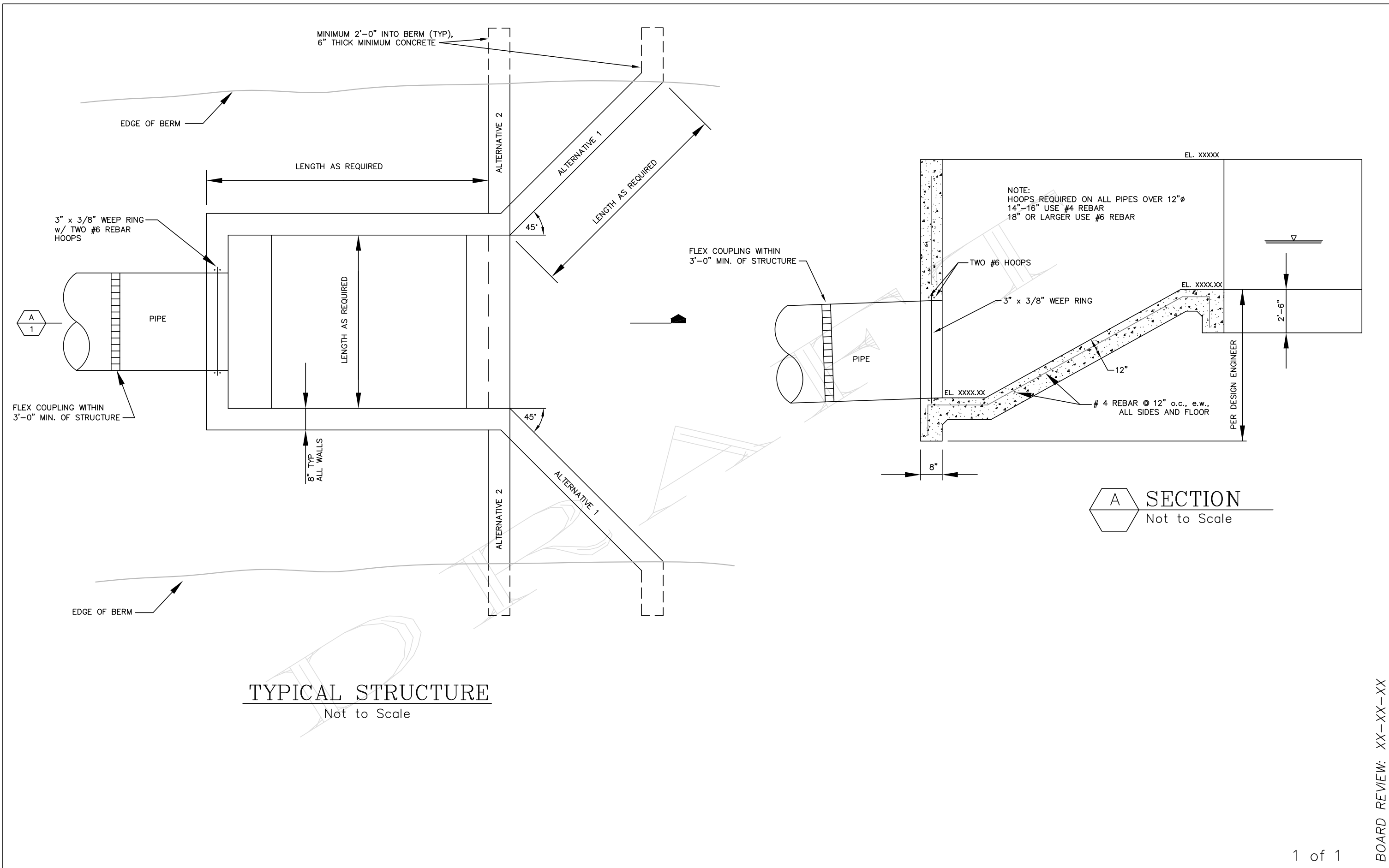
TRASH RACK SUPPORT (5)
Not to Scale

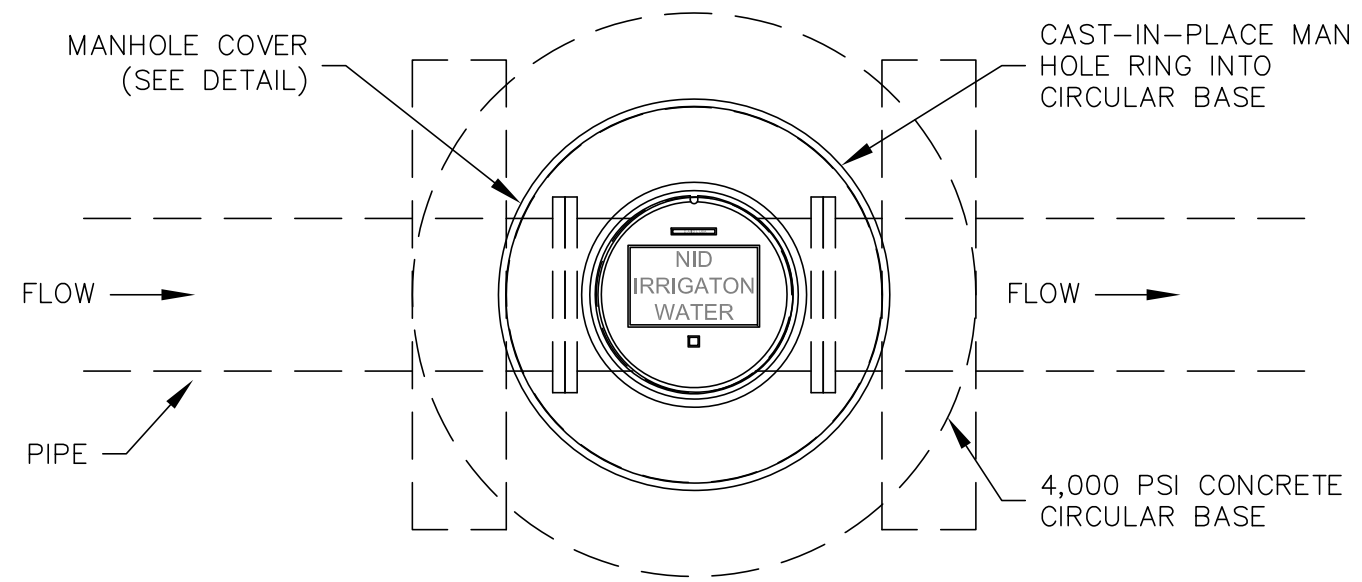


HANDRAIL DETAIL (6)
Not to Scale
(IF REQUIRED)



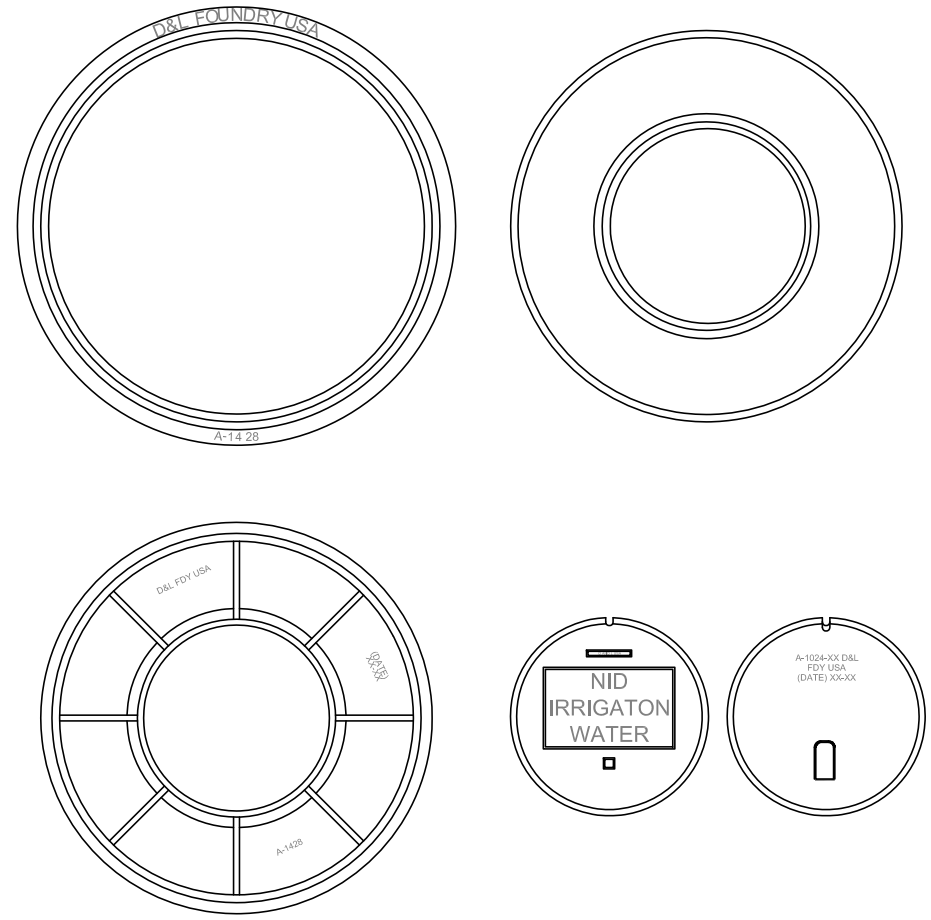
GRIPSTRUT DETAIL (7)
Not to Scale
(IF REQUIRED)





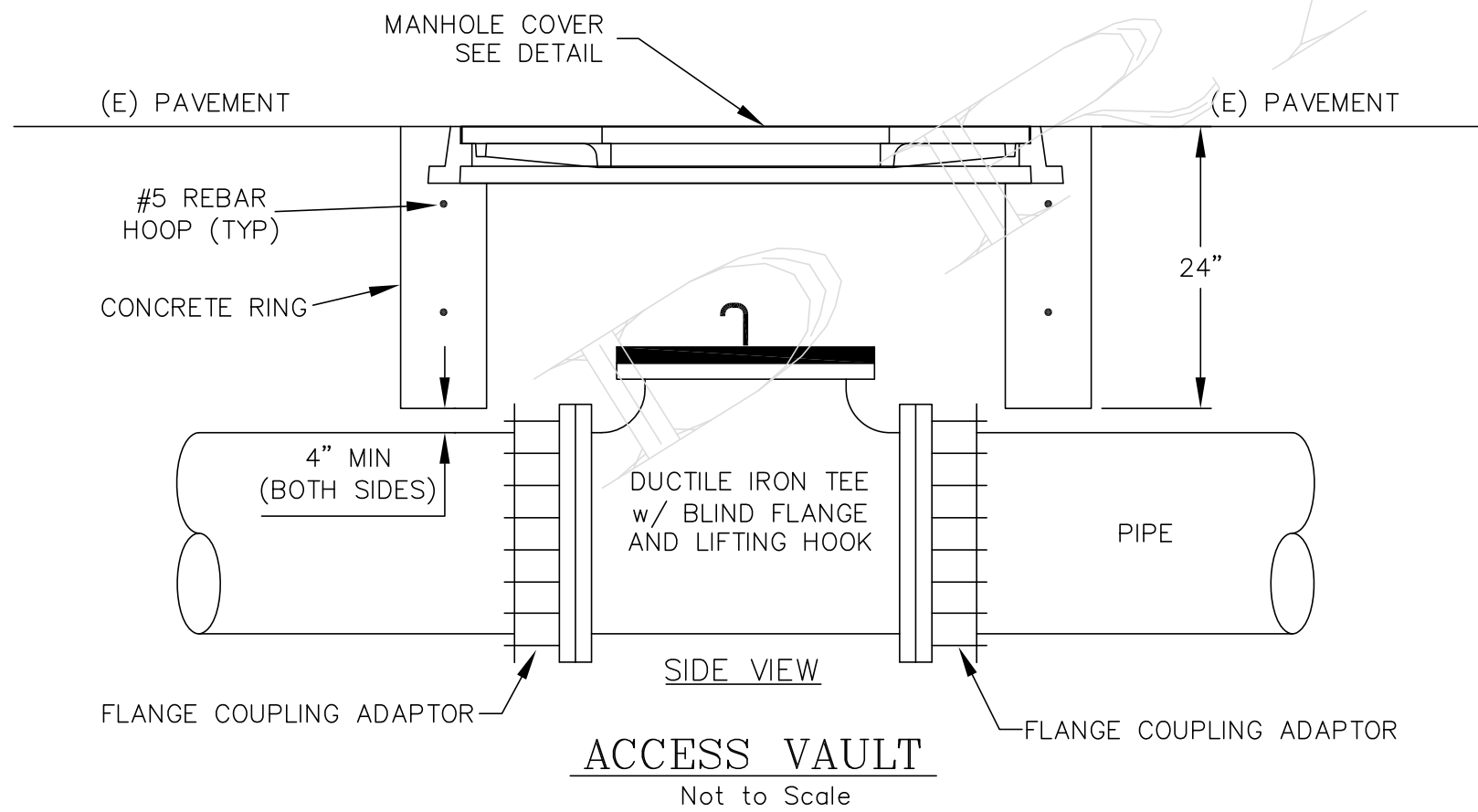
OPTION: PRECAST VAULT PER APPROVAL OF DISTRICT ENGINEER

TOP VIEW



MANHOLE COVER DETAIL

Not to Scale



ACCESS VAULT

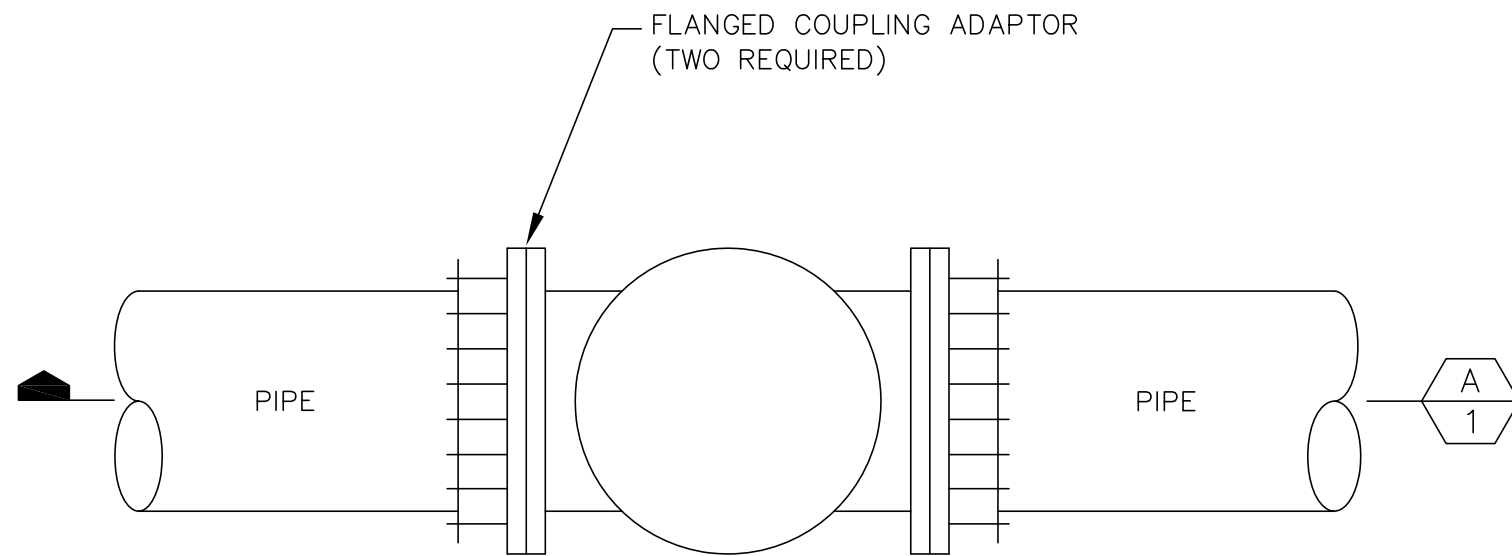
Not to Scale

ACCESS VAULT — PAVED AREA

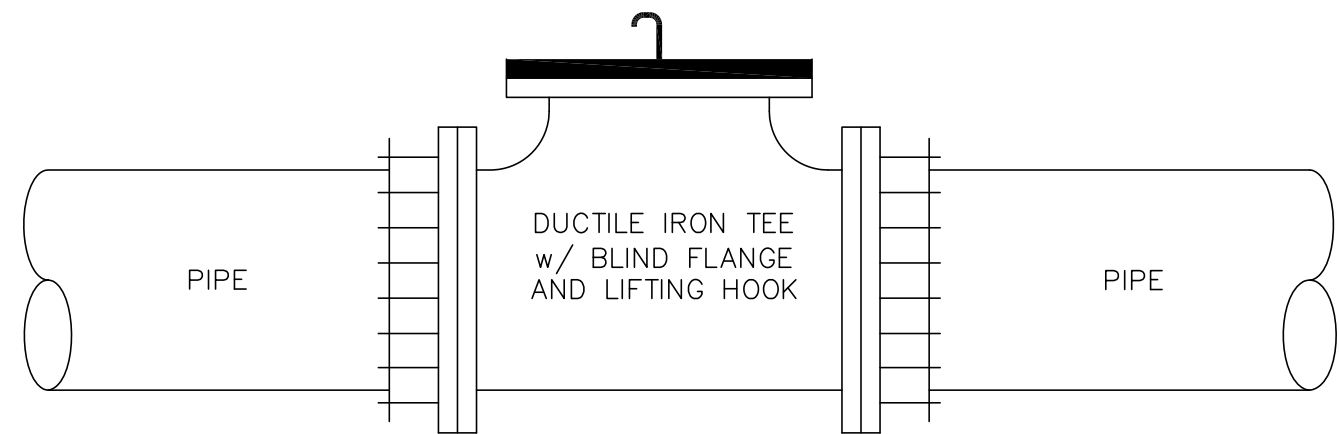
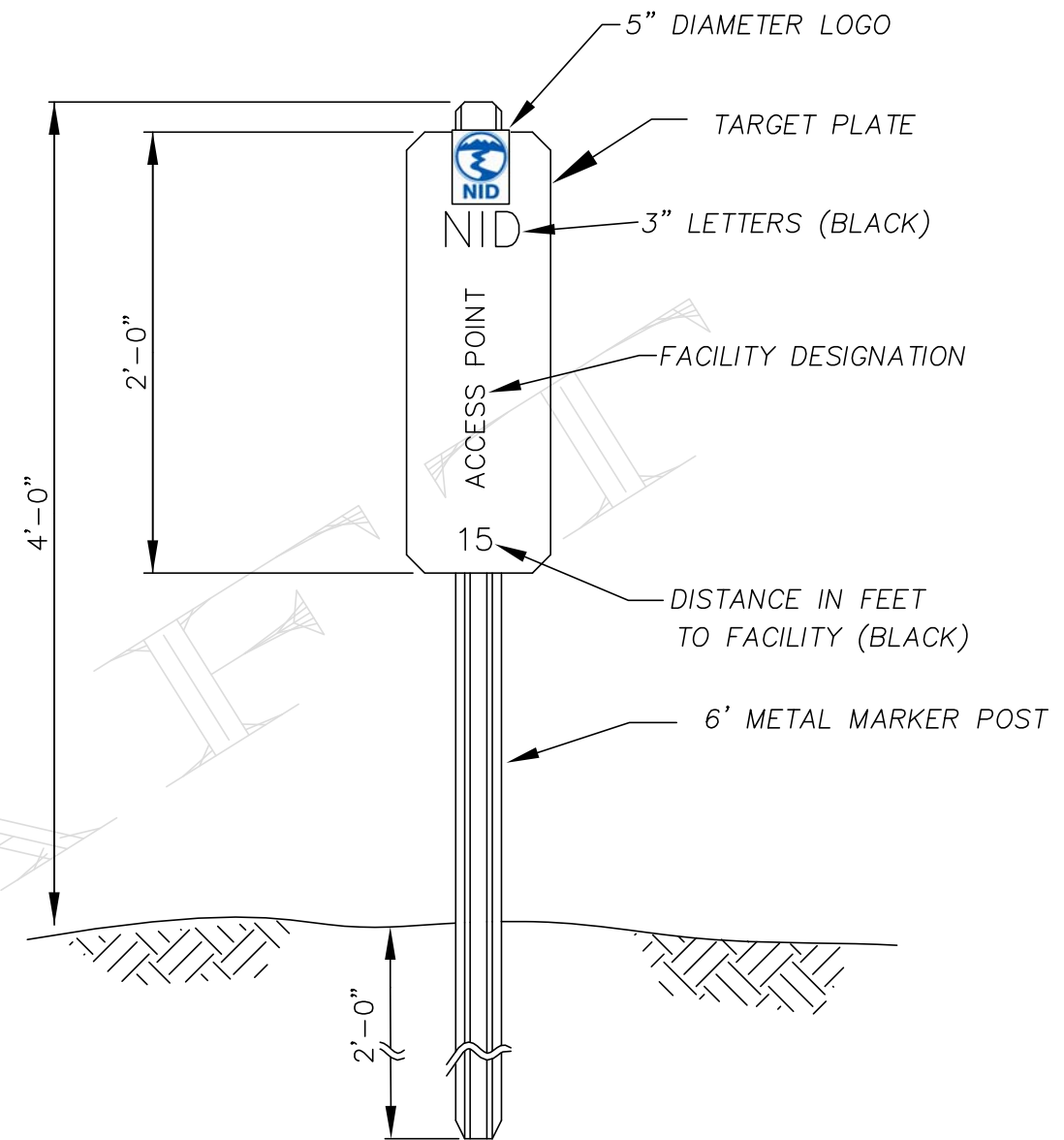
NOT TO SCALE

NID SDXX

BOARD REVIEW: XX-XX-XX



PLAN VIEW
Not to Scale



A SECTION
Not to Scale

NOTE:
IF DEEPER BURY, NEEDS TO HAVE POLY WRAP
AROUND TEE AND FLANGES TO PROTECT BOLTS

BOARD REVIEW: XX-XX-XX